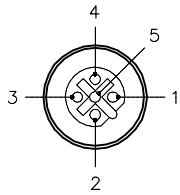


FEMALE END VIEW

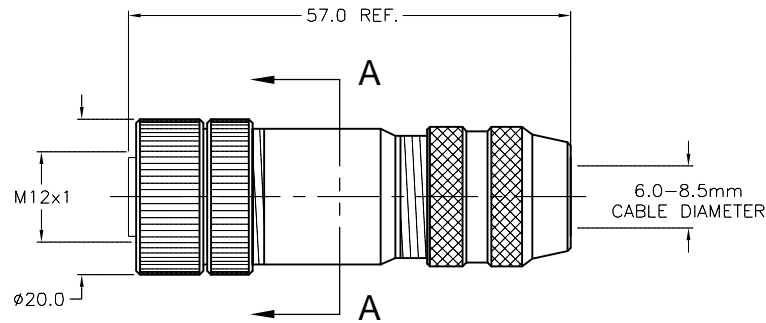


- 1 = N/C
- 2 = GREEN (BUS_A)
- 3 = N/C
- 4 = RED (BUS_B)
- 5 = BARE (SHIELD)



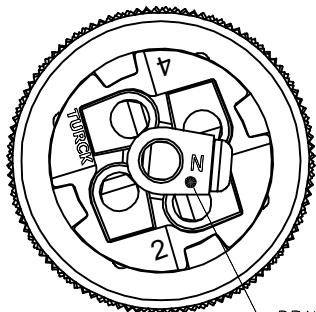
SPECIFICATIONS

CONTACT MATERIAL/PLATING	BRASS/GOLD
COUPLING NUT MATERIAL/PLATING	ZINC/NICKEL
RATED CURRENT [A]	4.0 A
RATED VOLTAGE [V]	125V
WIRE SIZE	26-18AWG
CABLE GRIP RANGE	6.0-8.5mm
TEMPERATURE RATING	-25°C to +85°C (-13°F to +185°F)
PROTECTION CLASS	IEC IP67
WIRE TERMINATION	SCREW TERMINAL



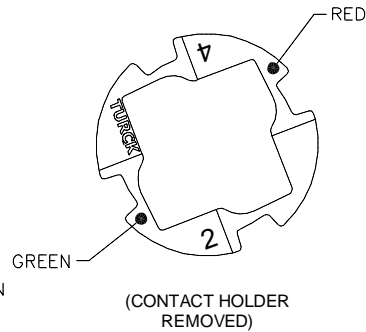
DETAIL "A"

WIRE SIDE VIEW OF CONTACT HOLDER TO SHOW LABEL DETAILS



(SCALE 2:1)

LABEL DETAIL



SOURCE DRAWING - FOR REFERENCE ONLY

RELATED DOCUMENTS 1. 2. 3. 4.	3RD ANGLE PROJECTION 	THIS DRAWING IS CONFIDENTIAL AND THE PROPERTY OF TURCK INC. USE OF THIS DOCUMENT WITHOUT WRITTEN PERMISSION IS PROHIBITED.		3000 CAMPUS DRIVE MINNEAPOLIS, MN 55441 1-800-544-7769 (763) 553-7300 (763) 553-0708 fax www.turck.us	
	MATERIAL SEE SPECIFICATIONS	DRFT RDS APVD	DATE 06/27/08 SCALE 1=1.0	DESCRIPTION BMW 8151-8.5/PDP	
FINISH SEE SPECIFICATIONS	UNIT OF MEASUREMENT MILLIMETERS	CONTACT TURCK FOR MORE INFORMATION		IDENTIFICATION NO. U2-13624	REV C
DO NOT SCALE THIS DRAWING		FILE: U2-13624		SHEET 1 OF 1	

C	UPDATE SPECIFICATIONS	RDS	10/02/17	62340
REV	DESCRIPTION	BY	DATE	ECO NO.